

MASTERS SERIES

BISCAYNE

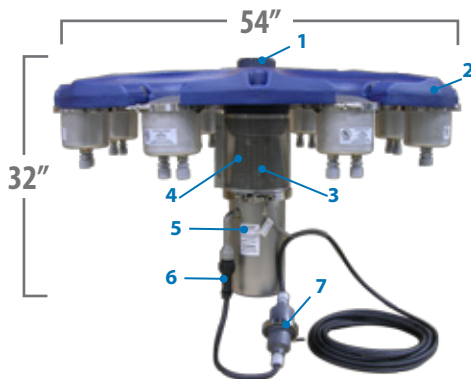
BASIC FLOW PATTERN (BFP)

VERTICAL ONLY

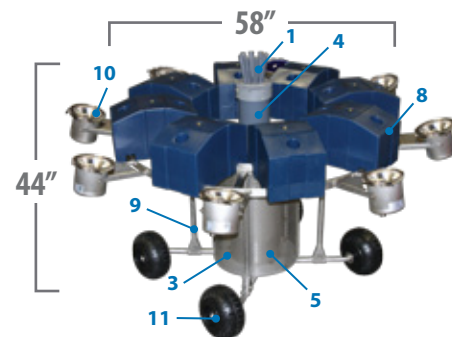


HORSEPOWER	1	2	3 & 3½	5	7½	10
HT ft UPPER	11	14	16	20	25	32
HT x DIA ft LOWER	7 x 14	10 x 19	10 x 20	13 x 24	16 x 28	18 x 28
ELECTRICAL RATING Ph VOLTAGE AMPS	1 120 19	1 208-240 12.6	1 (3½HP) 208-240 15.2	1 208-240 27.1	1 220-240 42	1 220-240 60
	3 208-240 9.6	3 208-240 6.3	3 (3HP) 208-240 10.1	3 208-240 18	3 208-240 26.4	3 208-240 36
	3 208-240 5.4	3 440-480 3.1	3 (3HP) 440-480 5.1	3 440-480 9	3 440-480 13.2	3 440-480 18
3 440-480 2.7						
HT m UPPER	3.6	4	4.9	6.7	7.6	9.8
HT x DIA m LOWER	2.7 x 6.4	2.7 x 6.4	3 x 4.9	3.7 x 6.7	4.9 x 8.5	5.5 x 8.5
ELECTRICAL RATING Ph VOLTAGE AMPS	1 220-230 8	1 208-230 10.5	1 220-230 19	1 208-230 24	3 380-415 12	3 380-415 18
	3 380-415 2.6	3 380-415 3.7	3 380-415 5	3 380-415 8		

MASTERS SERIES® DESIGN TYPES



**1 - 5 HP Masters Series
Vertical Design**
(Min. Operating Depth - 3ft.)



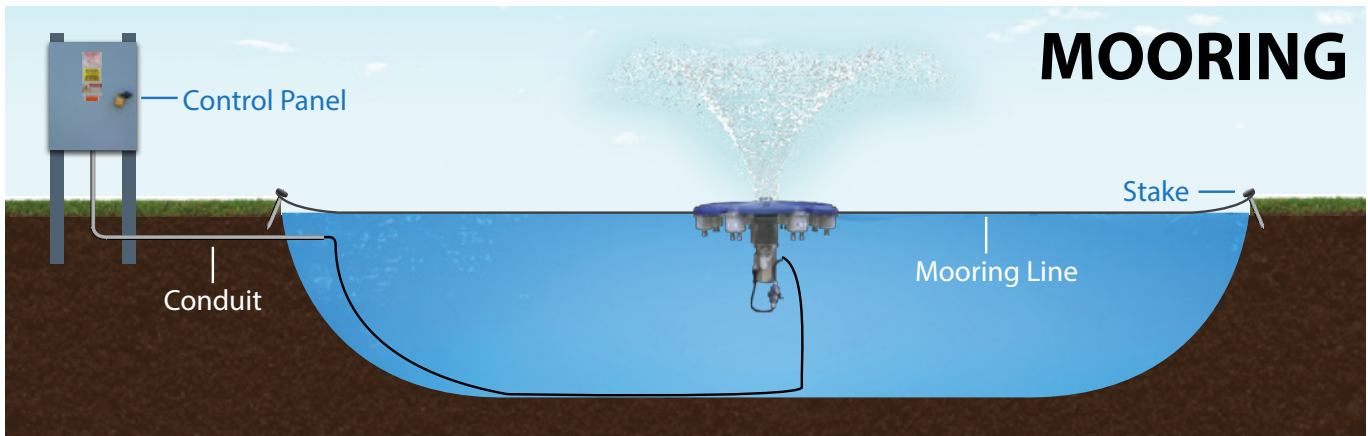
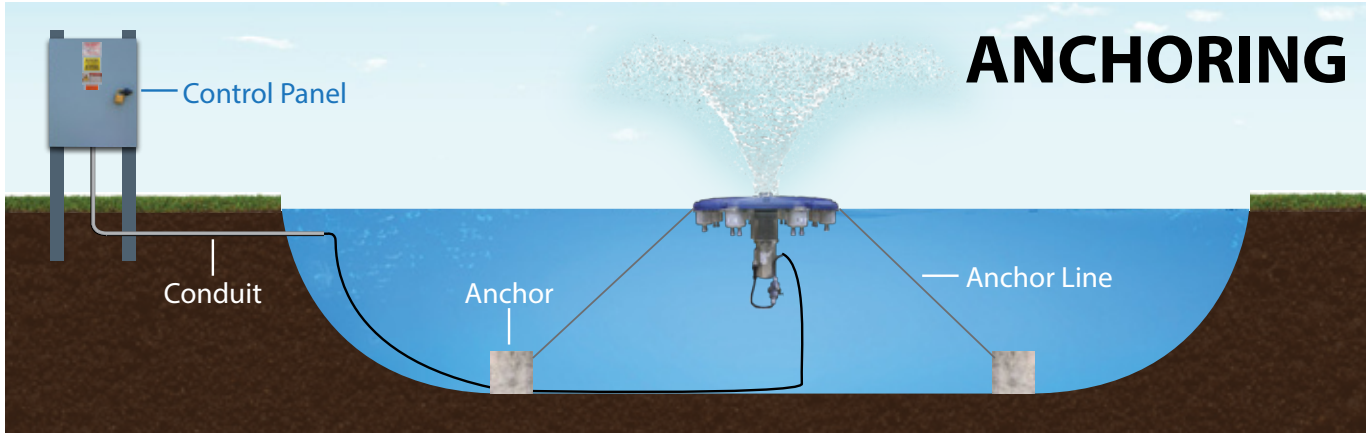
**7.5 - 10 HP Masters Series
Cart Design**
(Min. Operating Depth - 4ft.)

- 1 - Interchangeable nozzles
- 2 - Low profile float design with recessed pockets for LED & RGBW Lighting
- 3 - Stainless steel intake screen
- 4 - Patented, high-efficiency molded composite impeller system
- 5 - Exclusive custom-designed oil-cooled energy efficient motors with stainless steel motor housing and top plate

- 6 - AquaLock Connector (ALC) electrical quick disconnect
- 7 - Exclusive underwater cable disconnect
- 8 - Individual high density polyethylene floats are in-water adjustable
- 9 - Rugged stainless steel compact cart design
- 10 - Adjustable Night Glow LED or RGBW Lighting
- 11 - Oversized floatation type tires for ease of launching

MASTERS SERIES

INSTALLATION



CONTROL PANEL



CONTROL PANEL COMPONENTS

- Outdoor rated, lockable enclosure constructed of galvanized steel powder coated gray
- Standard enclosure size 16" x 16" x 6" for 1-5HP and 24" x 20" x 6" for 7.5-10HP (1Ph) 30" x 24" x 8" for 7.5-10HP (3Ph)
- Overcurrent protection
- Ground fault protection
- Motor contactor and overload
- Capacitors (single phase only)
- Digital timers with battery backup
- LED lighting circuit included in all control panels
- Custom Control Panels for multiple units and options available

