

MASTERS SERIES

AUGUSTA

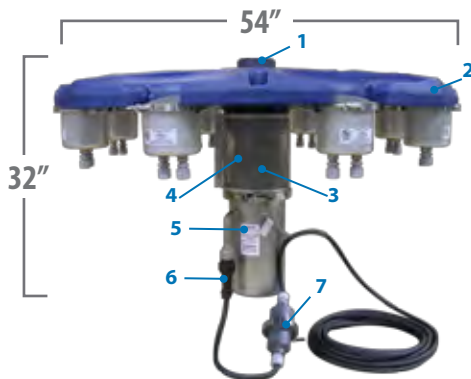
STRAIGHTENED FLOW PATTERN (SFP)

VERTICAL ONLY

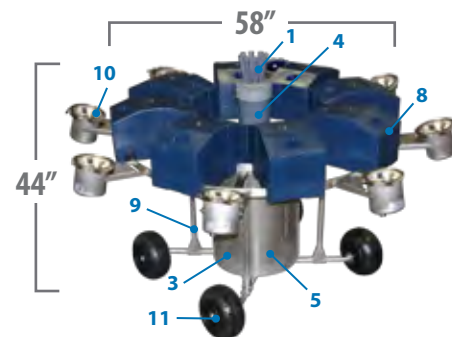


| HORSEPOWER | 1 | 2 | 3 & 3½ | 5 | 7½ | 10 |
|--|-------------------|--------------------|---------------------------|--------------------|--------------------|------------------|
| HT x DIA ft | 9 x 20 | 11.5 x 24 | 13 x 30 | 15.5 x 35 | 17 x 45 | 23 x 60 |
| ELECTRICAL RATING Ph VOLTAGE AMPS | 1 120 19 | 1 208-240 12.6 | 1 (3½HP) 208-240 15.2 | 1 208-240 27.1 | 1 220-240 42 | 1 220-240 60 |
| | 3 208-240 9.6 | 3 208-240 6.3 | 3 (3HP) 208-240 10.1 | 3 208-240 18 | 3 208-240 26.4 | 3 208-240 36 |
| | 3 208-240 5.4 | 3 440-480 3.1 | 3 (3HP) 440-480 5.1 | 3 440-480 9 | 3 440-480 13.2 | 3 440-480 18 |
| HT x DIA m | 2.4 x 4.9 | 2.9 x 6.1 | 4.1 x 9.1 | 4.7 x 13.7 | 5.2 x 13.7 | 7 x 18.3 |
| ELECTRICAL RATING Ph VOLTAGE AMPS | 1 220-230 8 | 1 208-230 10.5 | 1 220-230 19 | 1 208-230 24 | 3 380-415 12 | 3 380-415 18 |
| | 3 380-415 2.6 | 3 380-415 3.7 | 3 380-415 5 | 3 380-415 8 | | |

MASTERS SERIES® DESIGN TYPES



**1 - 5 HP Masters Series
Vertical Design**
(Min. Operating Depth - 3ft.)



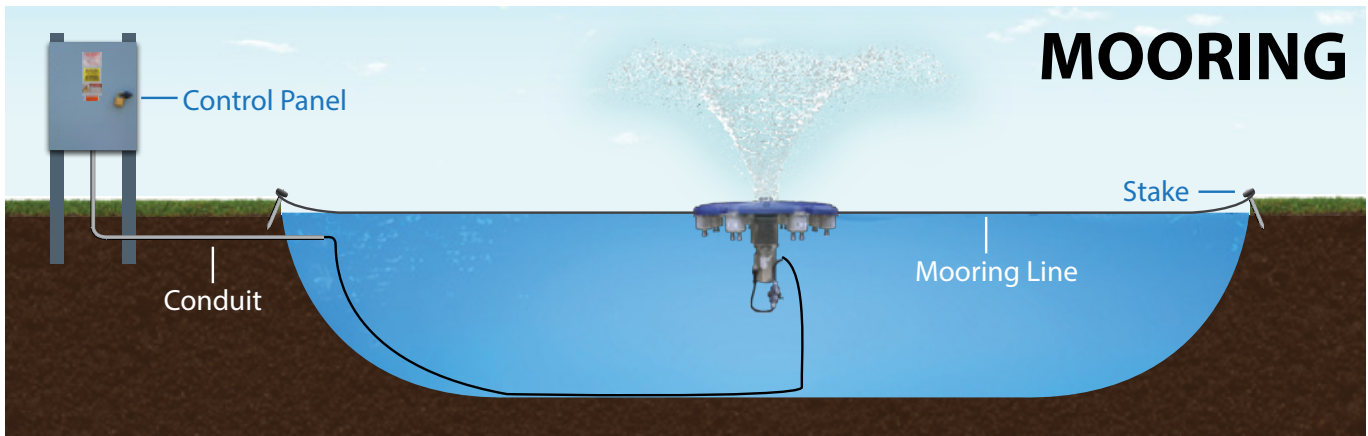
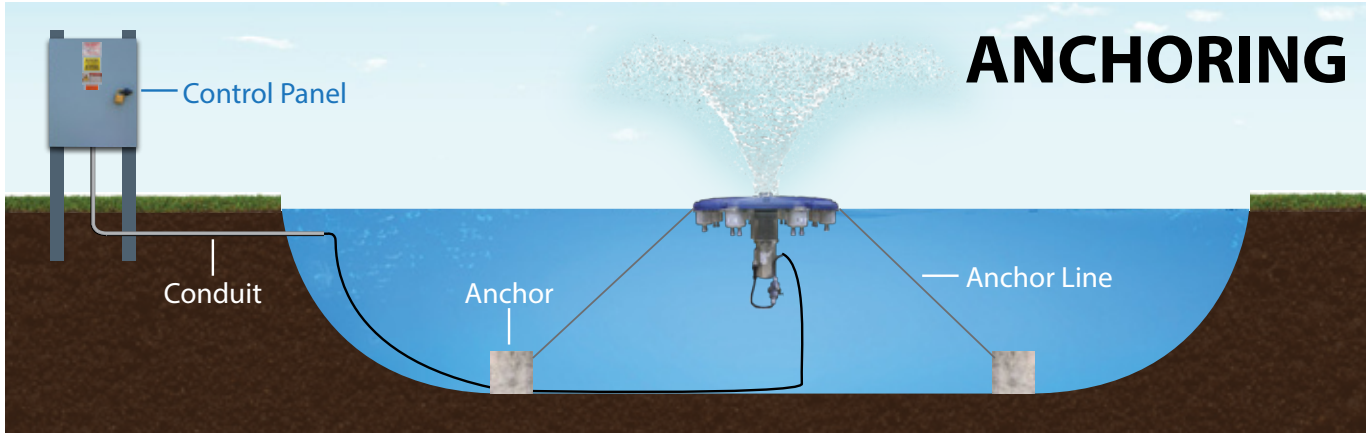
**7.5 - 10 HP Masters Series
Cart Design**
(Min. Operating Depth - 4ft.)

- 1 - Interchangeable nozzles
- 2 - Low profile float design with recessed pockets for LED & RGBW Lighting
- 3 - Stainless steel intake screen
- 4 - Patented, high-efficiency molded composite impeller system
- 5 - Exclusive custom-designed oil-cooled energy efficient motors with stainless steel motor housing and top plate

- 6 - AquaLock Connector (ALC) electrical quick disconnect
- 7 - Exclusive underwater cable disconnect
- 8 - Individual high density polyethylene floats are in-water adjustable
- 9 - Rugged stainless steel compact cart design
- 10 - Adjustable Night Glow LED or RGBW Lighting
- 11 - Oversized floatation type tires for ease of launching

MASTERS SERIES

INSTALLATION



CONTROL PANEL



CONTROL PANEL COMPONENTS

- Outdoor rated, lockable enclosure constructed of galvanized steel powder coated gray
- Standard enclosure size 16" x 16" x 6" for 1-5HP and 24" x 20" x 6" for 7.5-10HP (1Ph) 30" x 24" x 8" for 7.5-10HP (3Ph)
- Overcurrent protection
- Ground fault protection
- Motor contactor and overload
- Capacitors (single phase only)
- Digital timers with battery backup
- LED lighting circuit included in all control panels
- Custom Control Panels for multiple units and options available

